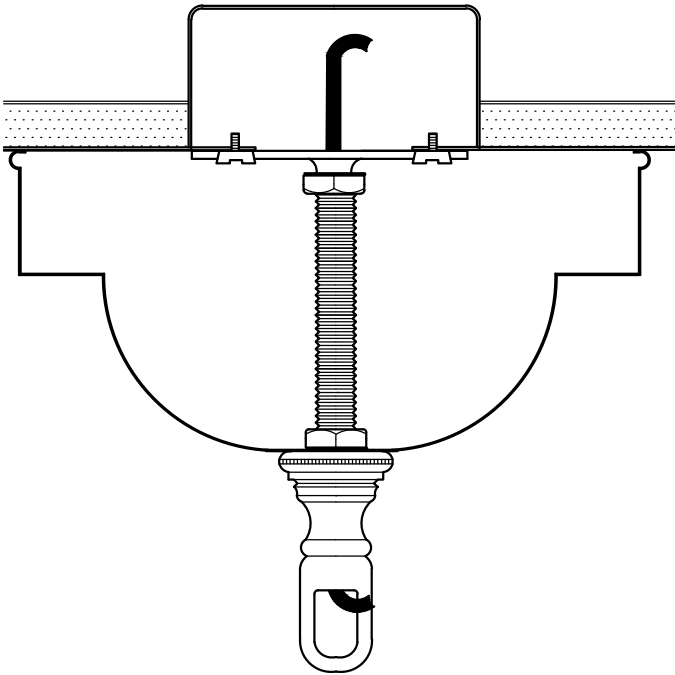


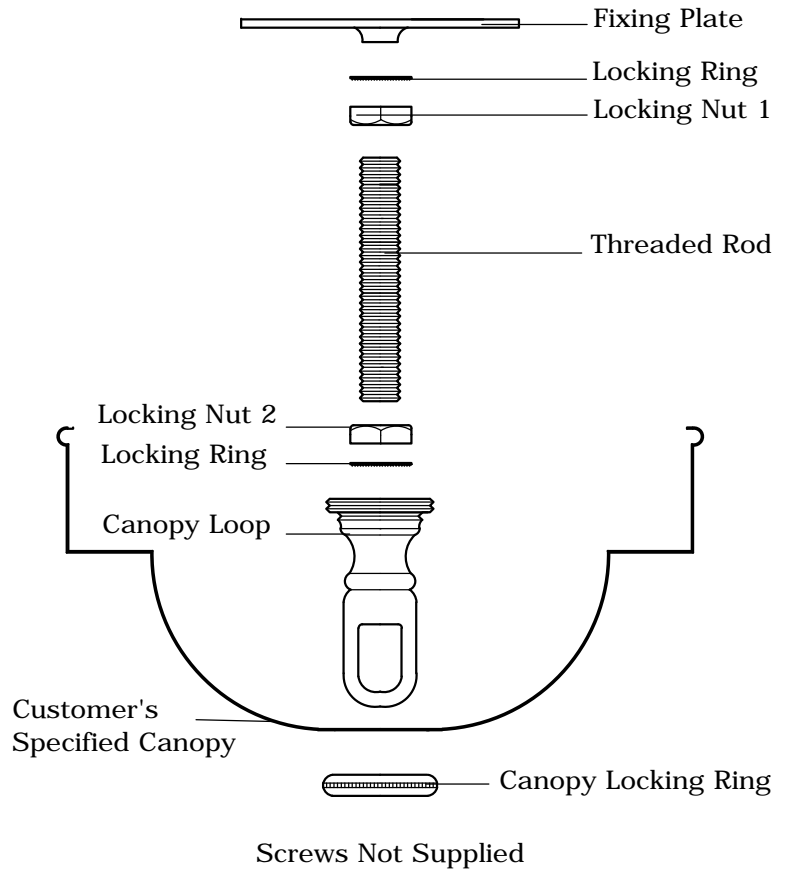
CHARLES EDWARDS

Guide to Ceiling Canopy Installation : US Fixing

Assembled Gubbins



Exploded View of Gubbins & Canopy Plate



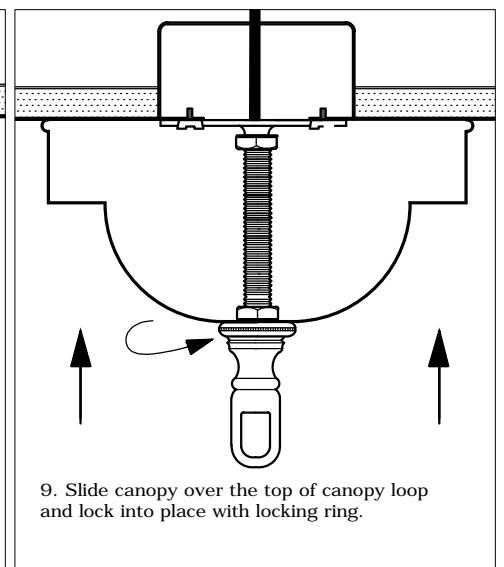
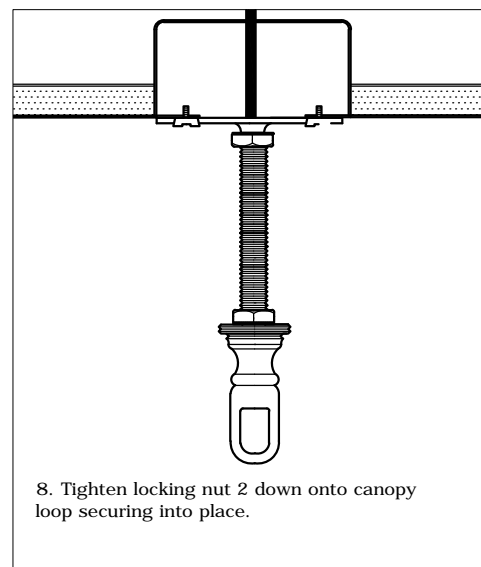
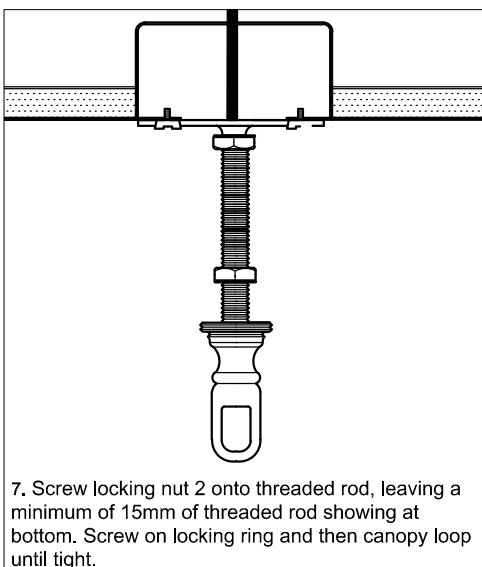
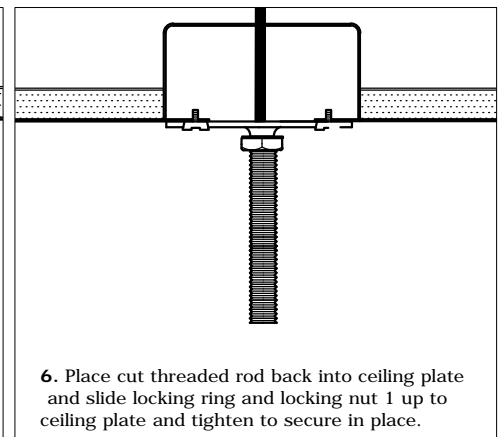
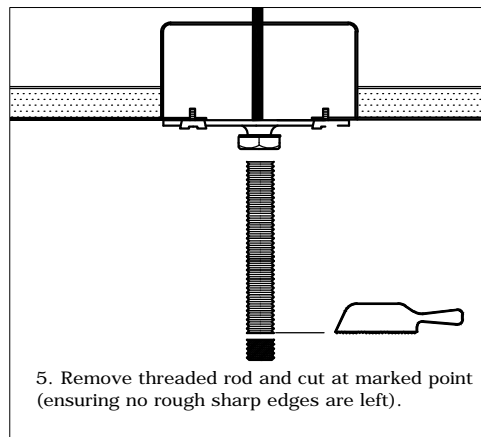
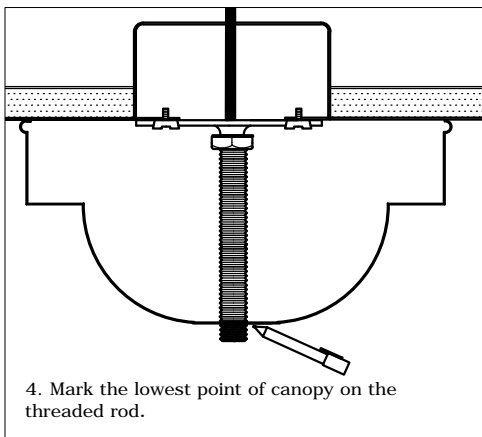
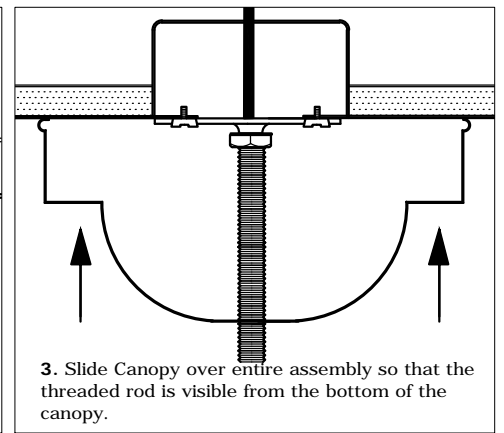
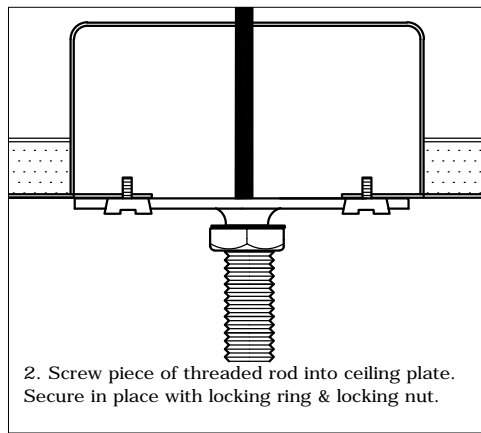
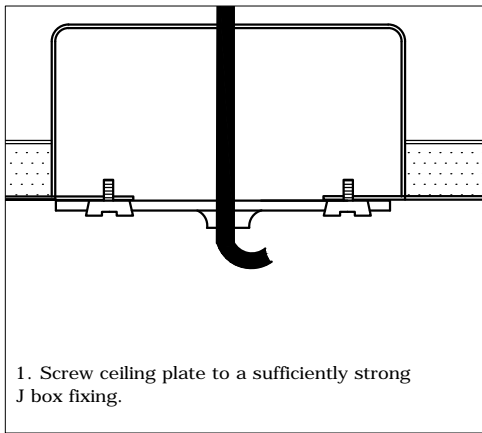
On heavier hanging fixtures additional fixings may be required.
Further details can be obtained from Charles Edwards Workshop.

PLEASE NOTE: These notes are for guidance only. Charles Edwards accepts no responsibility for any installation using the above notes and the final decision on installation remains with the installer. A qualified electrician should carry out all installations.

enquiries@charlesedwards.com +44 (0) 20 7736 8490 All rights reserved. Charles Edwards (Antiques) Ltd 2012

CHARLES EDWARDS

Guide to Ceiling Canopy Installation : US Fixing



PLEASE NOTE: These notes are for guidance only. Charles Edwards accepts no responsibility for any installation using the above notes and the final decision on installation remains with the installer. A qualified electrician should carry out all installations.