

# CHARLES EDWARDS

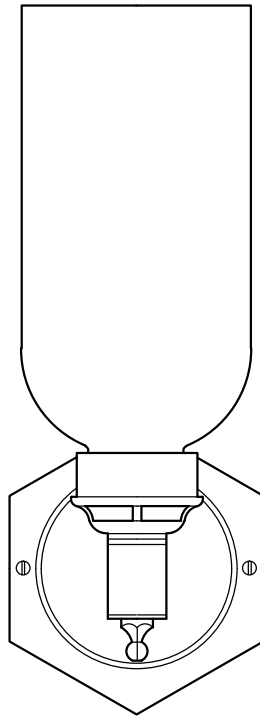
## Instructions for Replacement Glass Shades : Stage 1

### Information Required

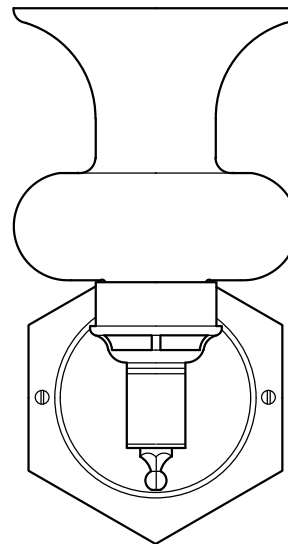
As our fixtures are hand made, small variations in size may occur. To ensure the replacement shade fits correctly, we shall require the following information:

- a. The original order number and photograph of the fixture.
- b. The style of Glass Shade i.e Osler, Palmer, Hurricane.
- c. The type of glass i.e. Clear, Frosted, Half-frosted.
- d. The finish on the Metal Receiver i.e. Nickel, Antique Brass. (see Stage 2 for how to locate the Metal Receiver)
- e. The outer diameter of the Metal Receiver. (see Stage 3 for how to take measurement)  
If you no longer have the original shade, rather than providing the Metal Receiver diameter, you may provide the Cup inner diameter (see Stage 2 to locate the cup and Stage 4 for how to take measurement)

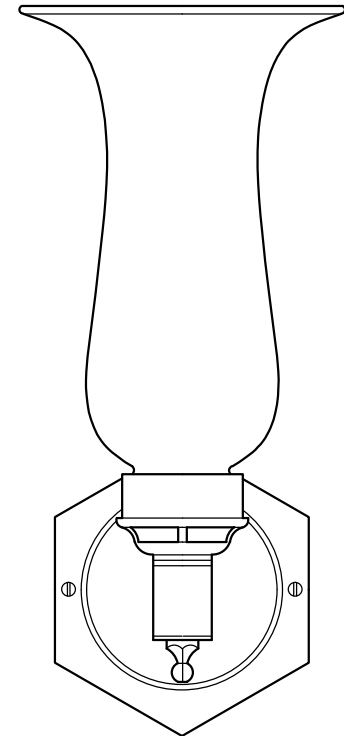
### Glass Shade Styles



Osler Shade



Palmer Shade

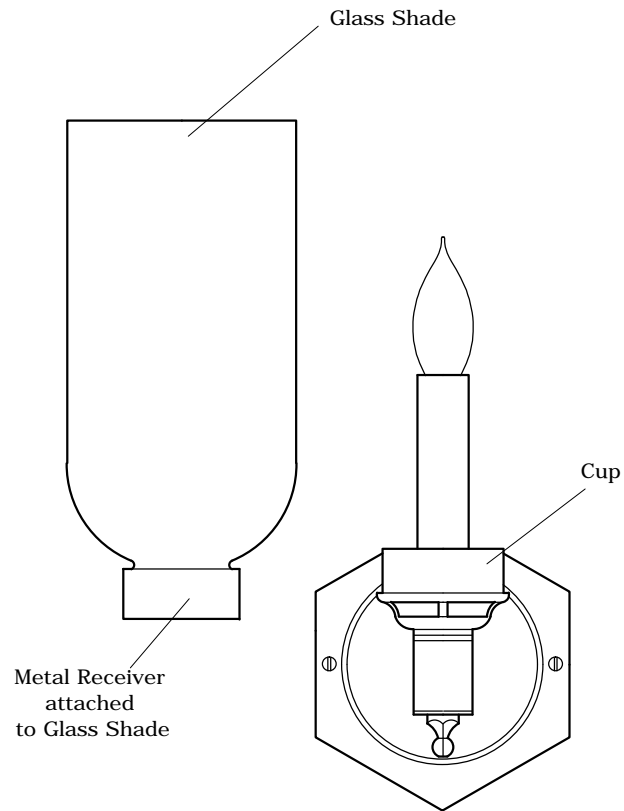


Hurricane Shade

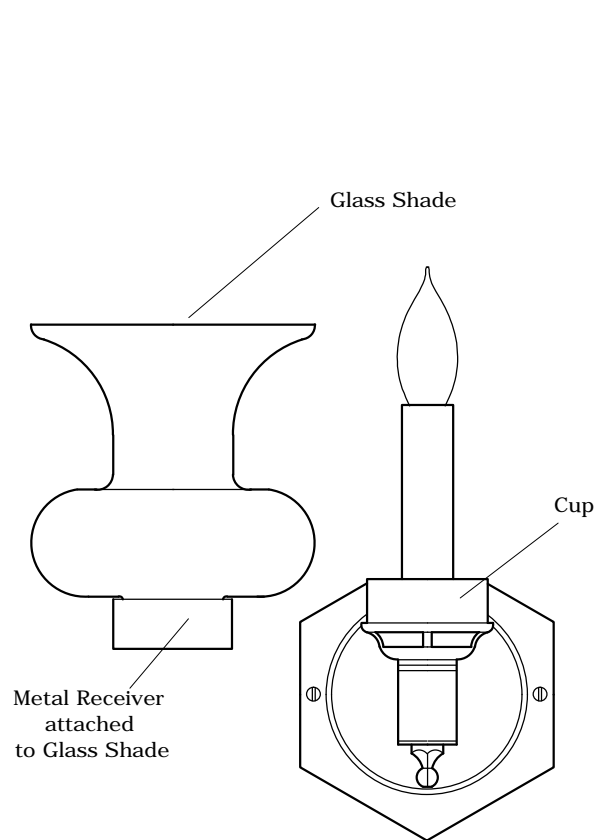
# CHARLES EDWARDS

## Instructions for Replacement Glass Shades : Stage 2

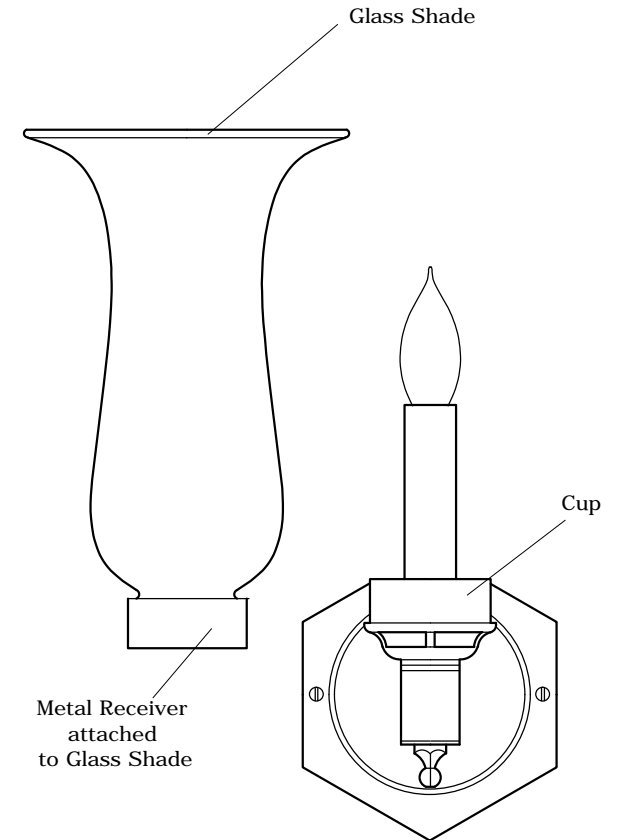
### How to locate Metal Receiver.



Osler Shade



Palmer Shade



Hurricane Shade

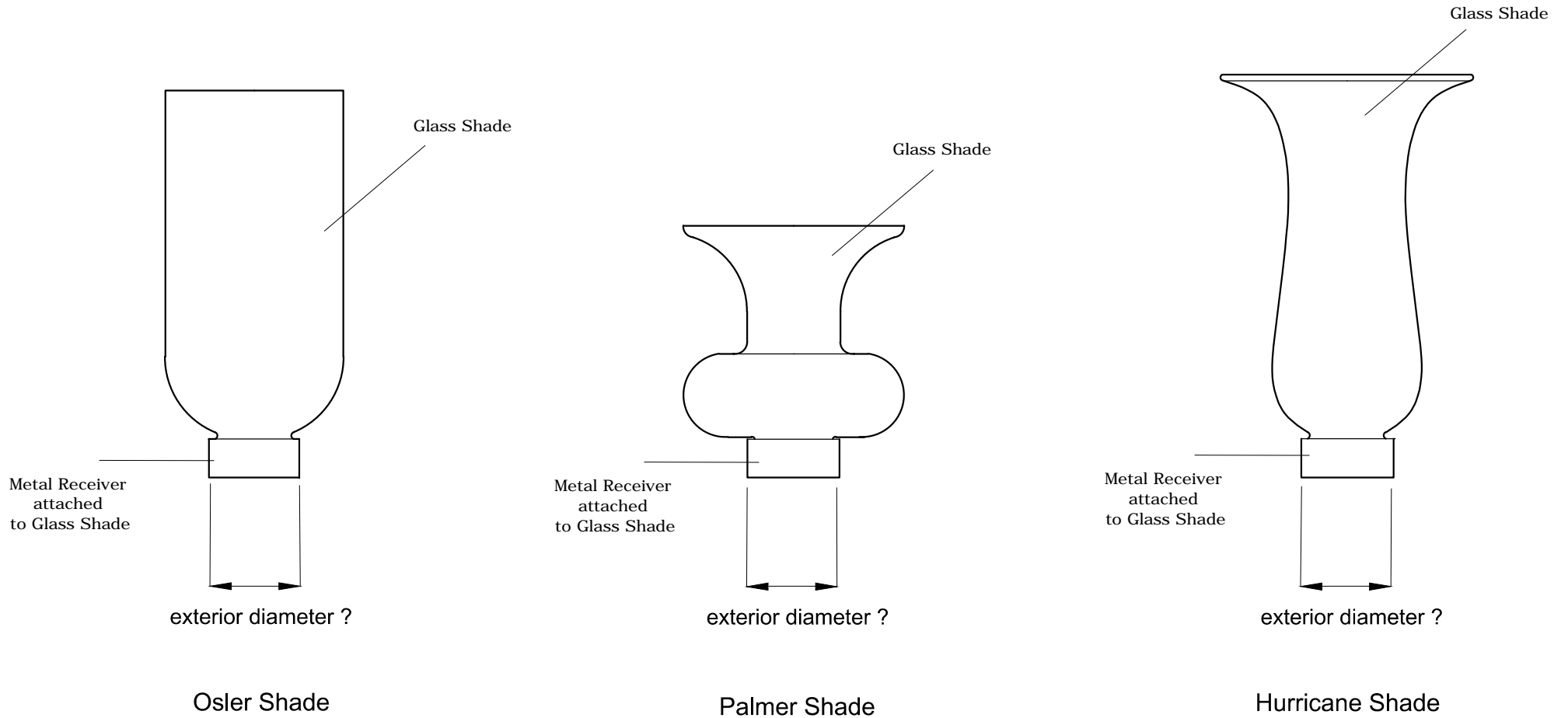
- Lift Glass Shade off Sconce revealing the Metal Receiver attached to the base of the Glass Shade . The Metal Receiver sits in the cup of the sconce.
- You may either return the broken shade with the Metal Receiver attached, or take the measurement of the outer diameter of the Metal Receiver.

For how to measure see: Diagram in Stage 3

# CHARLES EDWARDS

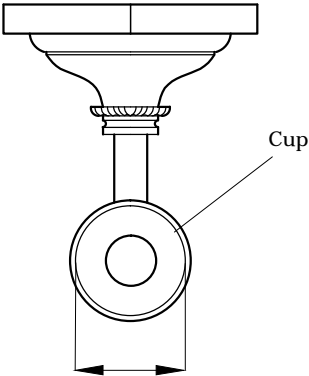
## Instructions for Replacement Glass Shades : Stage 3

### How to Measure Metal Receiver.



# CHARLES EDWARDS

## Instructions for Replacement Glass Shades : Stage 4 How to Measure Cup.



interior diameter ?

