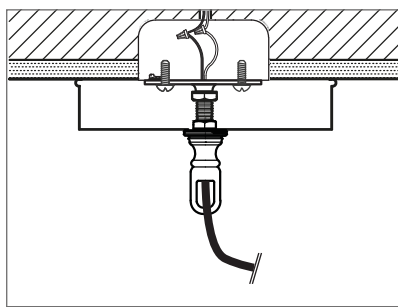
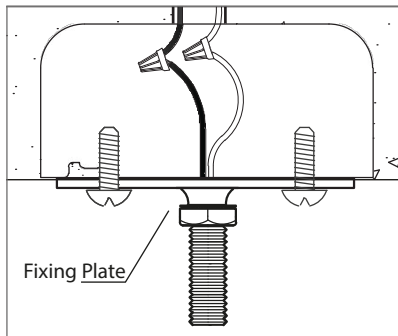
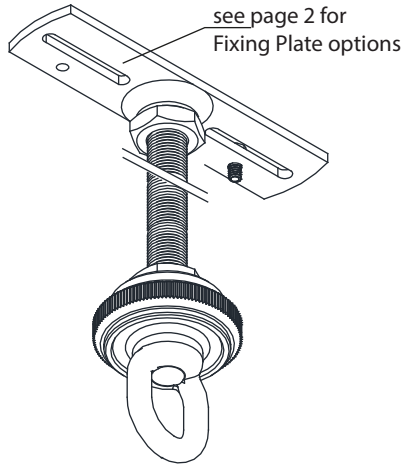


CHARLES EDWARDS

Guide to Ceiling Canopy Installation CA Type 1 & 2

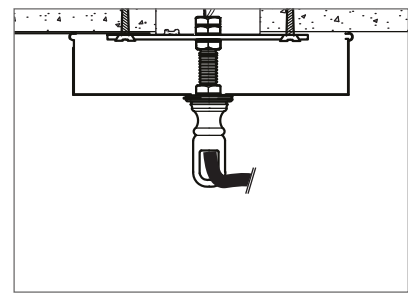
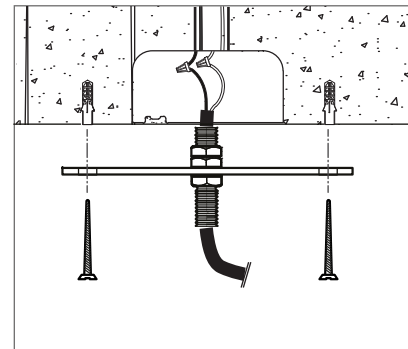
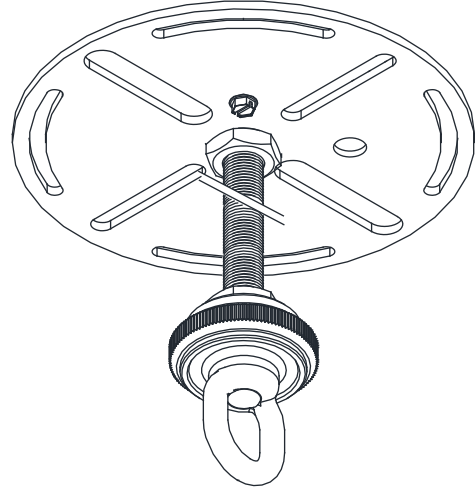
Type 1

Rod length have to be adjusted to suit internal canopy depth depending by design.
To be fixed directly to J-Box.

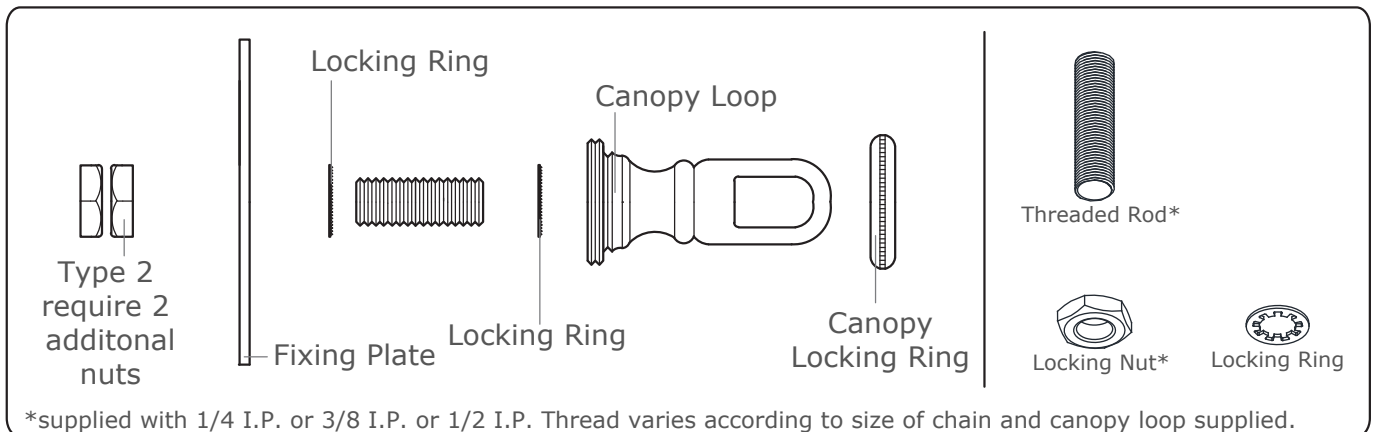


Type 2

Rod length have to be adjusted to suit internal canopy depth depending by design.
For installation in structural ceiling



Gubbins Detail:



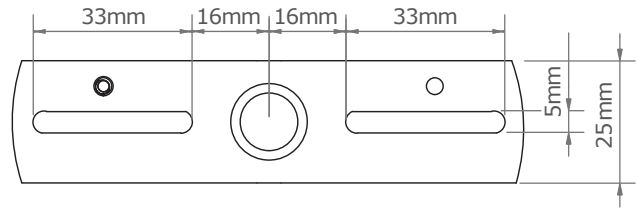
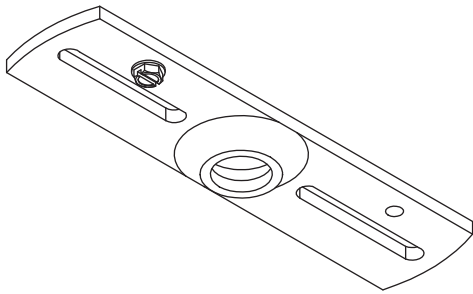
PLEASE NOTE: These notes are for guidance only. Charles Edwards accepts no responsibility for any installation using the above notes and the final decision on installation remains with the installer. A qualified electrician should carry out all installations.

enquiries@charlesedwards.com +44 (0) 20 7736 8490 All rights reserved. Charles Edwards (Antiques) Ltd 2012

CHARLES EDWARDS

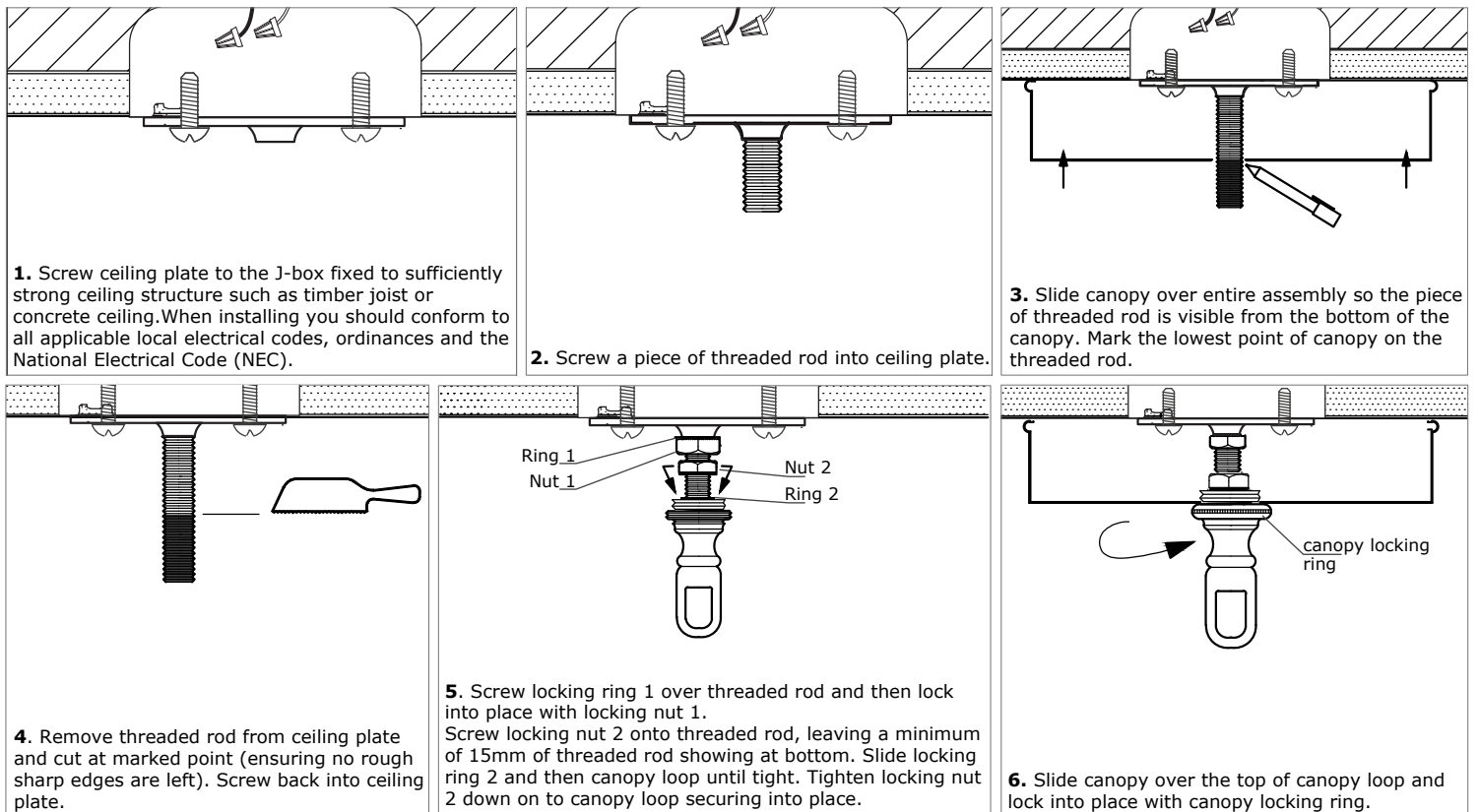
Guide to Ceiling Canopy Installation CA Type 1 & 2

Fixing Plate:



a) Fixing Plate supplied with fixture max 22Kg

Type 1: to be fixed directly to J-Box



Continue to box 7

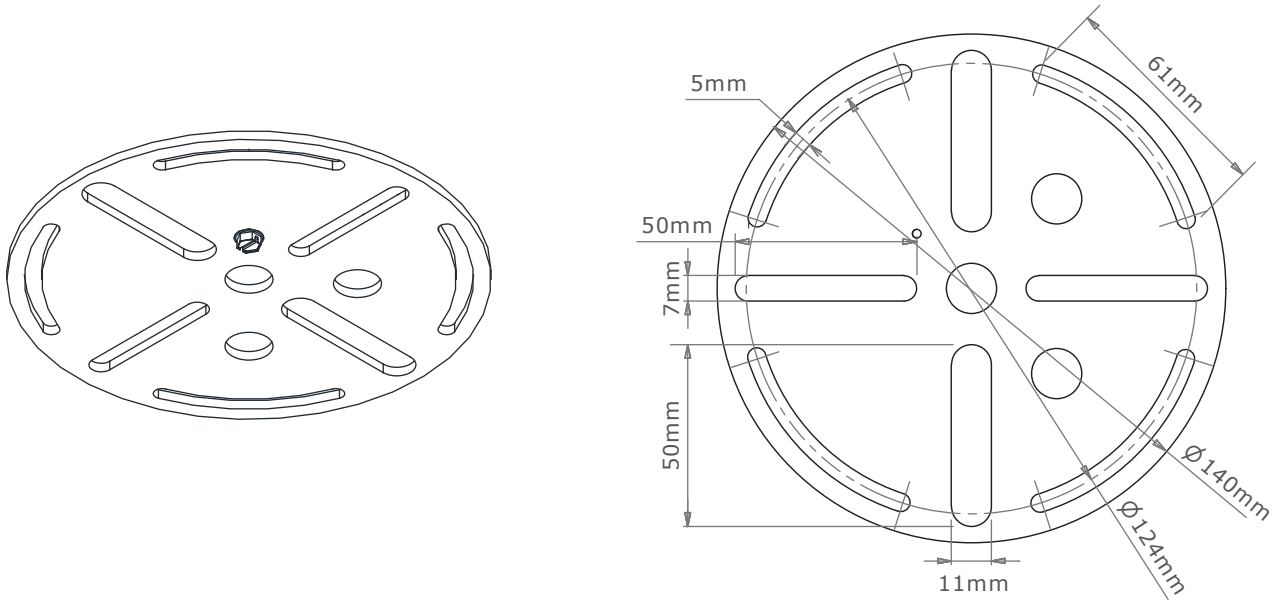
PLEASE NOTE: These notes are for guidance only. Charles Edwards accepts no responsibility for any installation using the above notes and the final decision on installation remains with the installer. A qualified electrician should carry out all installations.

enquiries@charlesedwards.com +44 (0) 20 7736 8490 All rights reserved. Charles Edwards (Antiques) Ltd 2012

CHARLES EDWARDS

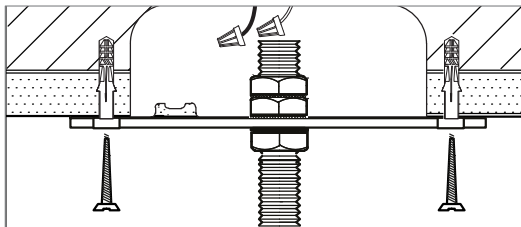
Guide to Ceiling Canopy Installation CA Type 1 & 2

Fixing Plate:

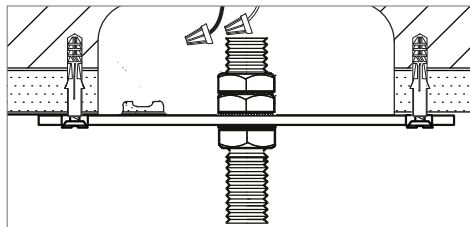


a) Fixing Plate supplied with fixture over 22Kg or custom product

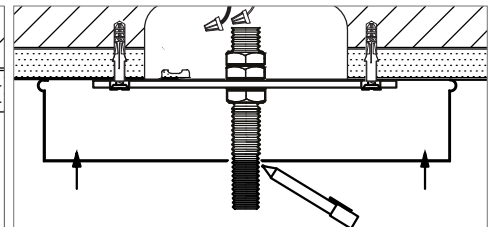
Type 2: for installation in structural ceiling



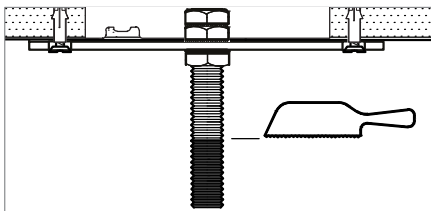
1. The ceiling structure should be sufficiently strong enough to take the weight of the fixture. When installing you should conform to all applicable local electrical codes, ordinances and the National Electrical Code (NEC).



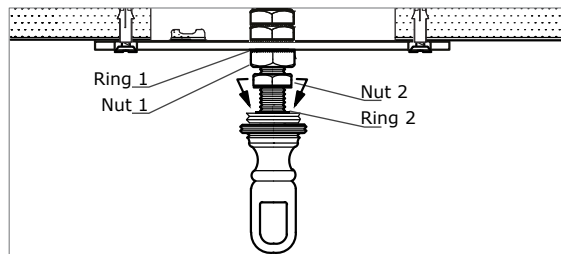
2. Screw ceiling plate to a sufficiently strong ceiling structure such as timber joist or concrete ceiling, making sure to cover junction box.



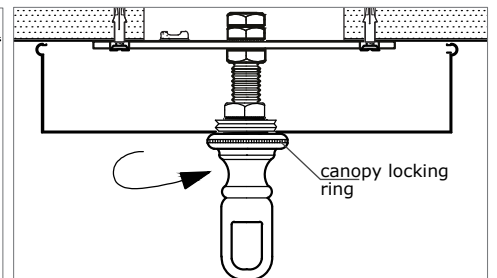
3. Slide canopy over entire assembly so the piece of threaded rod is visible from the bottom of the canopy. Mark the lowest point of canopy on the threaded rod.



4. Cut the rod at marked point (ensuring no rough sharp edges are left).



5. Screw locking ring 1 over threaded rod and then lock into place with locking nut 1. Screw locking nut 2 onto threaded rod, leaving a minimum of 15mm of threaded rod showing at bottom. Slide locking ring 2 and then canopy loop until tight. Tighten locking nut 2 down on to canopy loop securing into place.



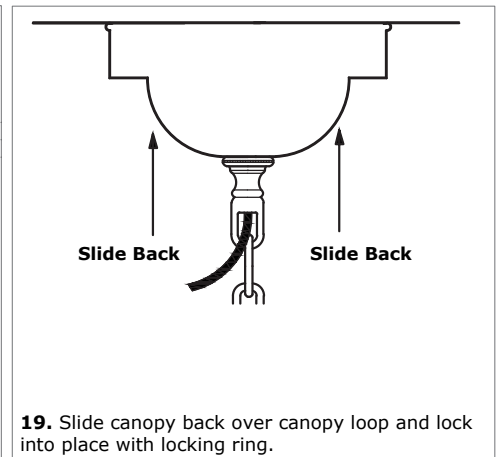
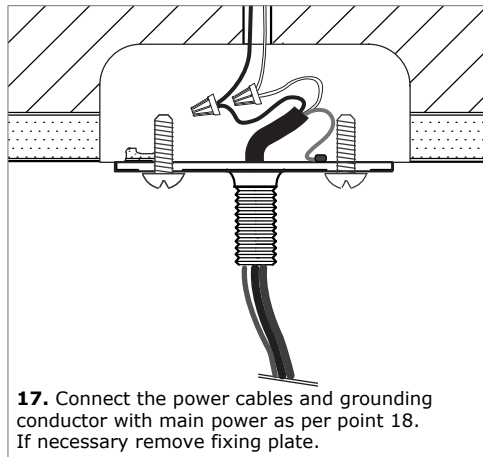
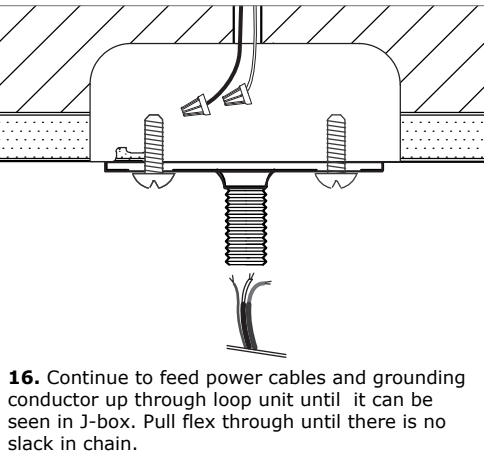
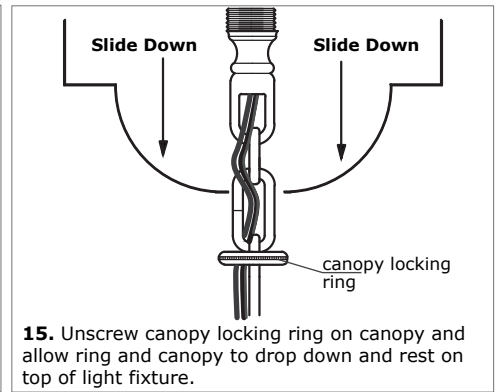
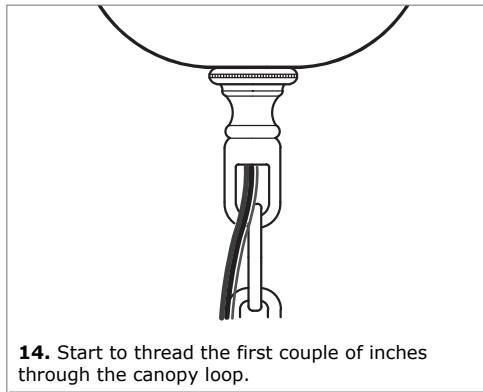
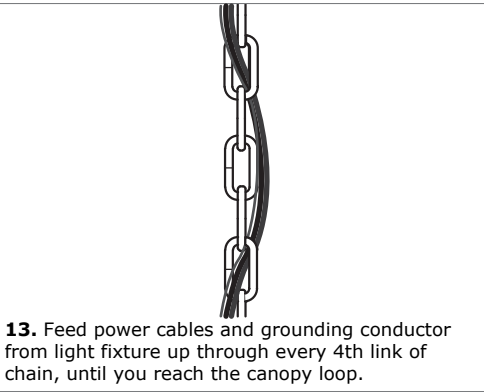
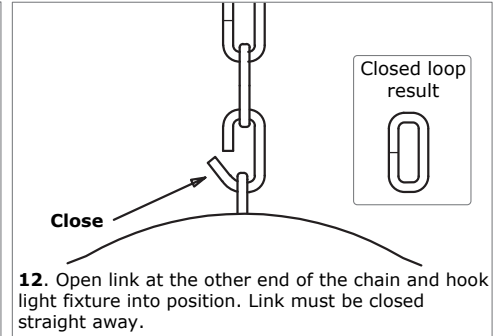
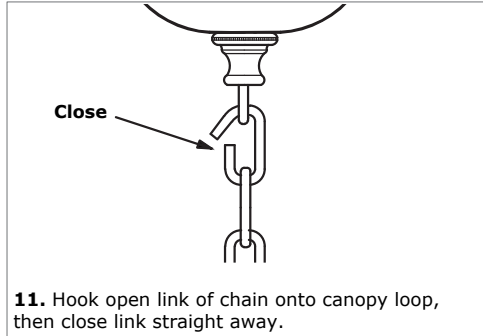
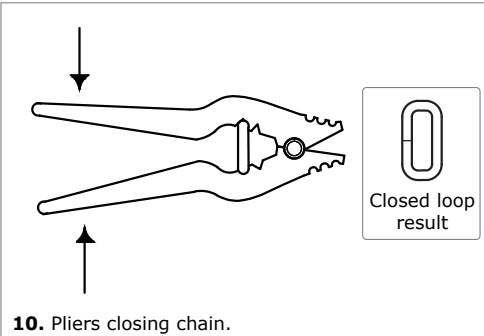
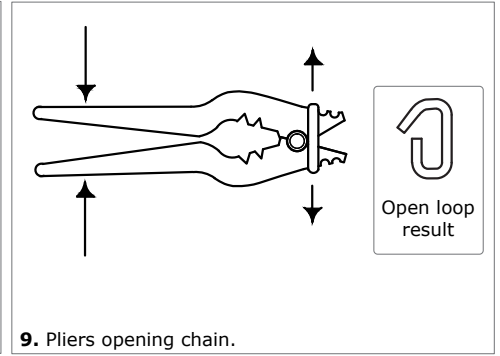
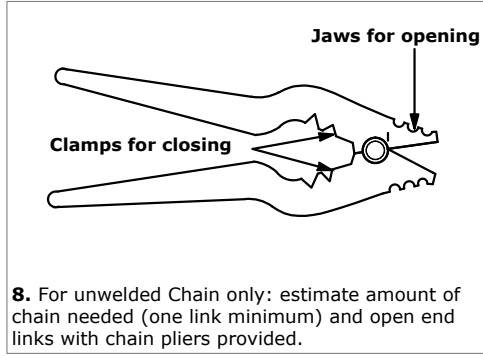
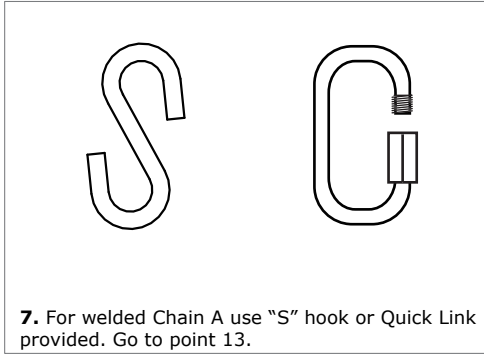
6. Slide canopy over the top of canopy loop and lock into place with canopy locking ring.

Continue to box 7

PLEASE NOTE: These notes are for guidance only. Charles Edwards accepts no responsibility for any installation using the above notes and the final decision on installation remains with the installer. A qualified electrician should carry out all installations.

CHARLES EDWARDS

Guide to Ceiling Canopy Installation CA Type 1 & 2



SUPPLY (HOME)

Connect Black/Red Wire (Hot) to:

Connect White Wire (Neutral) to:

Connect Green insulated or bare copper (Ground) supply circuit wire and luminaire bare stranded wire (Ground) to the grounding screw on the cross bar.

NOTE: Use UL Listed wire nuts for the wiring connections in the luminaire. Wrap wire nut connections with UL listed tape. Consult a qualified electrician to ensure correct branch circuit conductor.

18. Make connections to lighting supply. This should be done by a qualified electrician. All power should be isolated before starting work and should remain off for the whole duration of the installation. In order to access to the branch circuit, unscrew the locking ring that holds the canopy.

LUMINAIRE

Black/Clear with writing Wire (Hot)

Ribbed Wire (Neutral)

PLEASE NOTE: These notes are for guidance only. Charles Edwards accepts no responsibility for any installation using the above notes and the final decision on installation remains with the installer. A qualified electrician should carry out all installations.

enquiries@charlesedwards.com +44 (0) 20 7736 8490 All rights reserved. Charles Edwards (Antiques) Ltd 2012