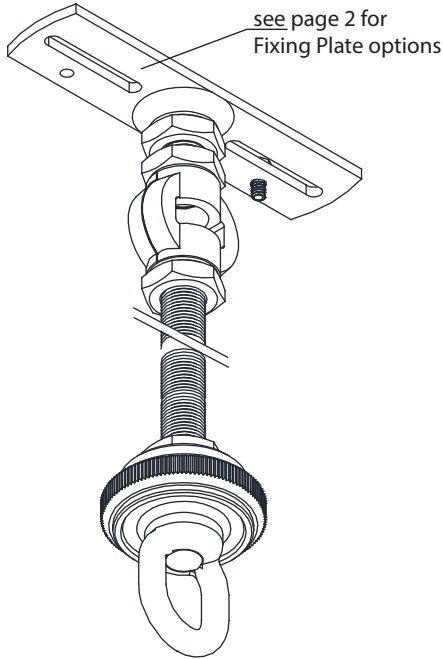


CHARLES EDWARDS

Guide to Ceiling Canopy Installation CA Type 1 & 2

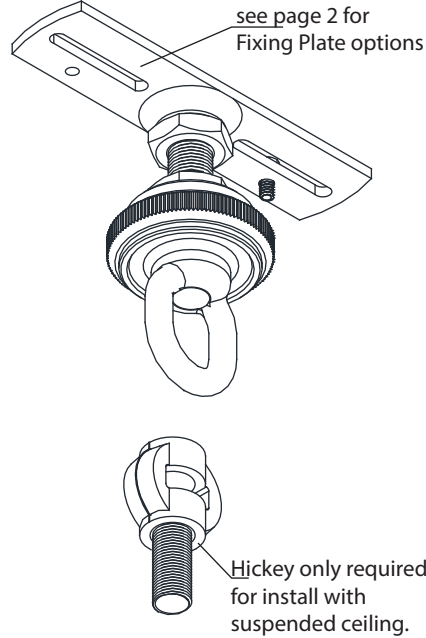
Type 1

On canopies with an internal depth of more than 60mm gubbins are provided fully assembled

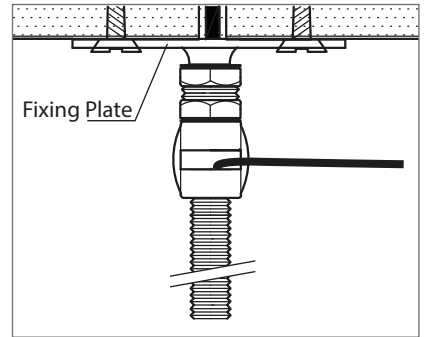


Type 2

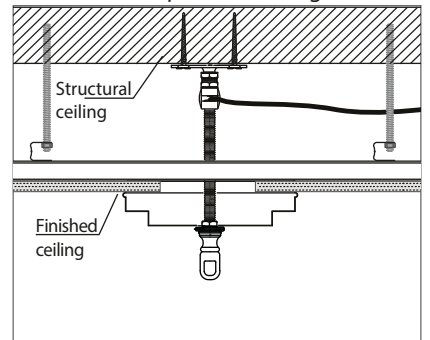
On canopies with internal depth of less than 60mm, gubbins are provided with the Hickey separate.



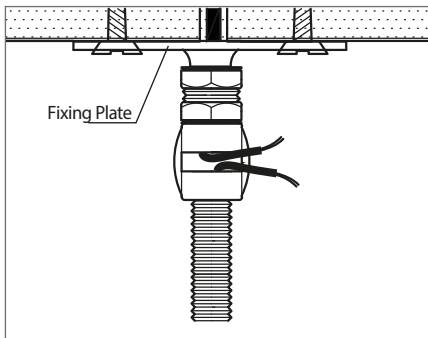
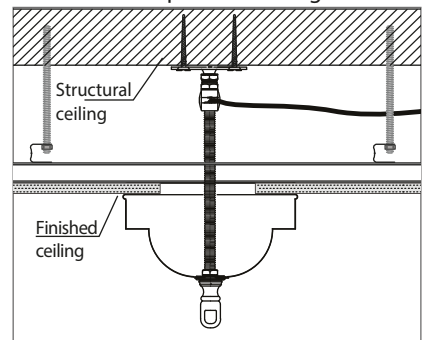
Type 1 & 2 with Suspended Ceiling



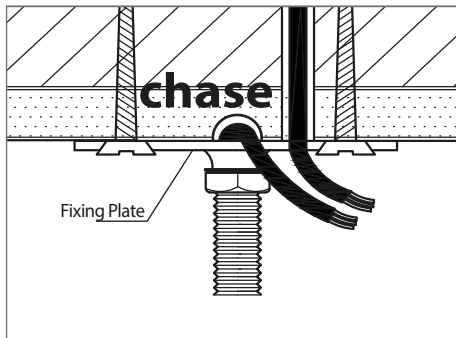
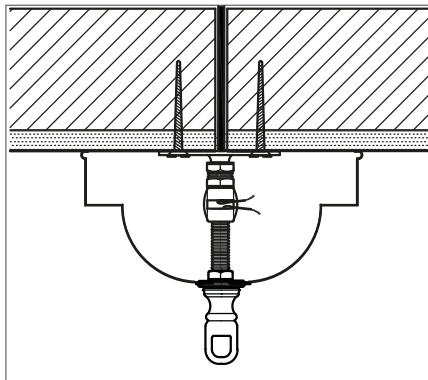
Canopy Type 2 connected through a Suspended Ceiling



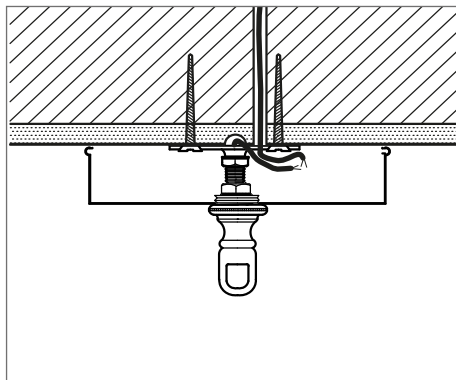
Canopy Type 1 connected through a Suspended Ceiling



Canopy connected to the structural ceiling



Canopy connected to the structural ceiling



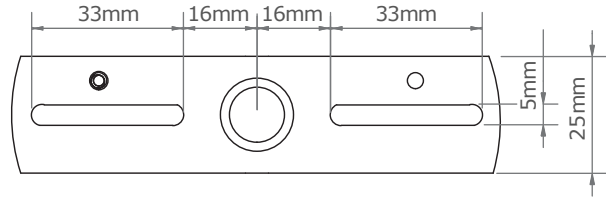
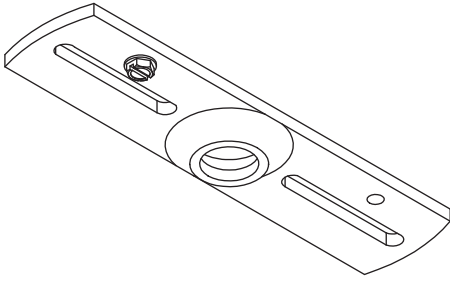
PLEASE NOTE: These notes are for guidance only. Charles Edwards accepts no responsibility for any installation using the above notes and the final decision on installation remains with the installer. A qualified electrician should carry out all installations.

enquiries@charlesedwards.com +44 (0) 20 7736 8490 All rights reserved. Charles Edwards (Antiques) Ltd 2012

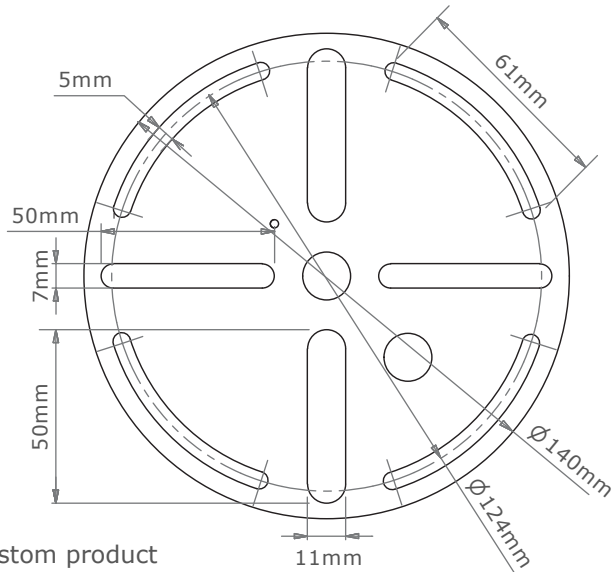
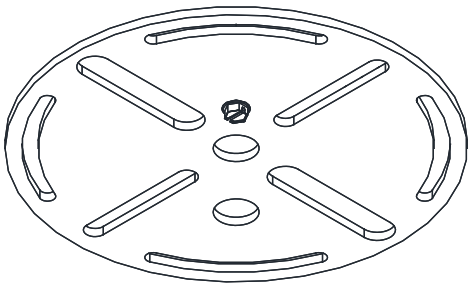
CHARLES EDWARDS

Guide to Ceiling Canopy Installation CA Type 1 & 2

Fixing Plate:

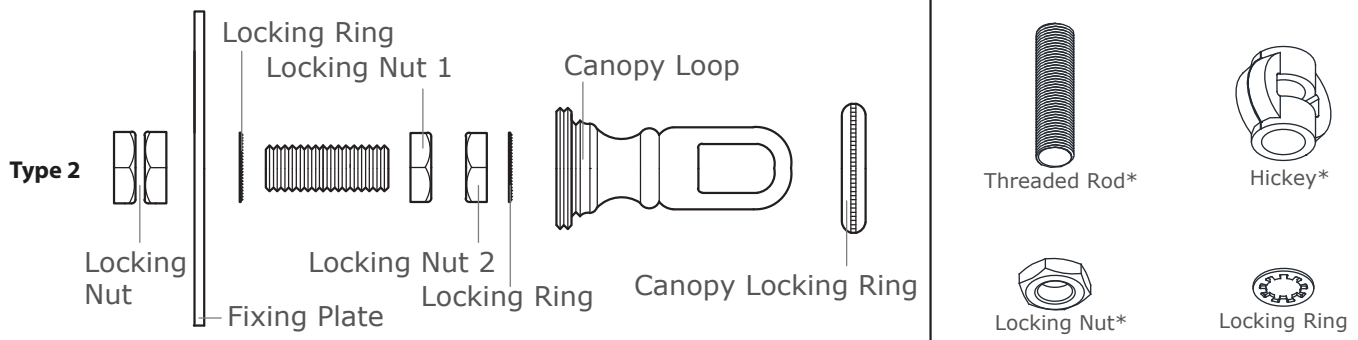
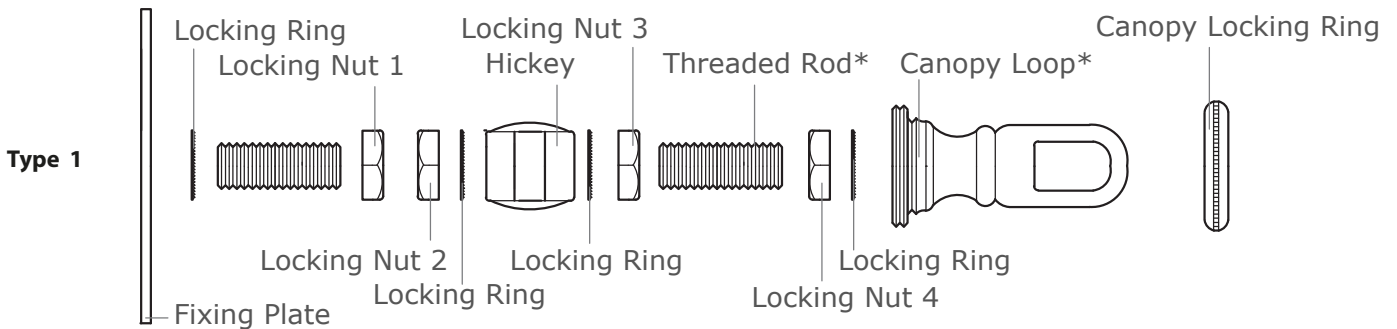


a) Fixing Plate supplied with fixture max 22Kg



a) Fixing Plate supplied with fixture over 22Kg or custom product
This fixing plate required a 2 additional nuts to lock the threaded bar

Gubbins Detail:



*supplied with 1/4 I.P. or 3/8 I.P. Thread varies according to size of chain and canopy loop supplied.

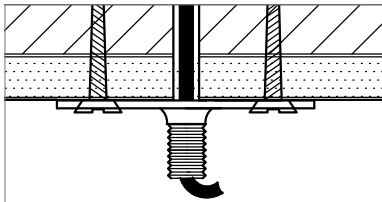
PLEASE NOTE: These notes are for guidance only. Charles Edwards accepts no responsibility for any installation using the above notes and the final decision on installation remains with the installer. A qualified electrician should carry out all installations.

enquiries@charlesedwards.com +44 (0) 20 7736 8490 All rights reserved. Charles Edwards (Antiques) Ltd 2012

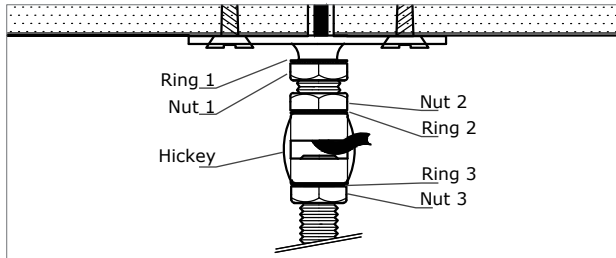
CHARLES EDWARDS

Guide to Ceiling Canopy Installation CA Type 1 & 2

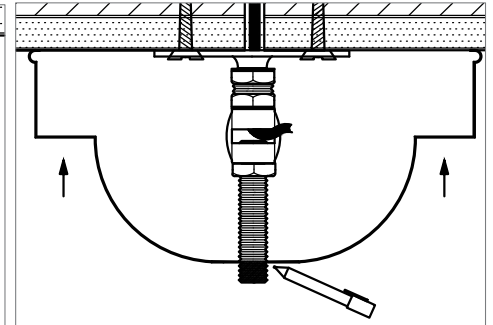
Type 1



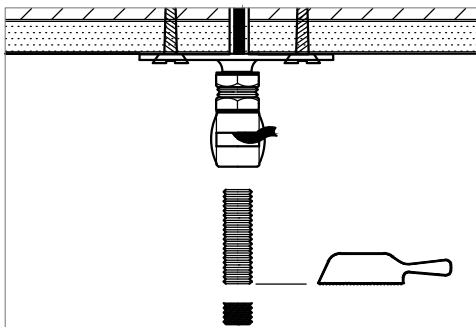
1. Screw ceiling plate to a sufficiently strong ceiling structure such as timber joist or concrete ceiling. Cut short piece of threaded rod to approximately 30mm past finished ceiling. (ensuring no rough sharp edges are left) Screw cut threaded rod into ceiling plate.



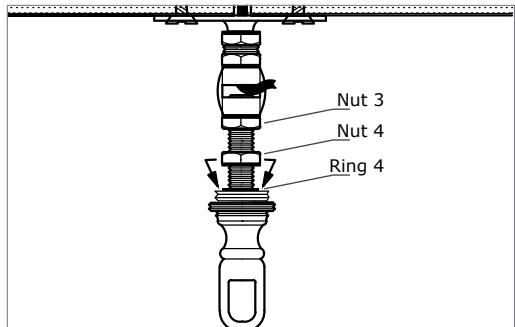
2. Screw locking ring 1 over threaded rod and then lock into place with locking nut 1. Screw locking nut 2 on threaded rod followed by second locking ring 2 and by the hickey. Screw remaining piece of threaded rod onto bottom thread of hickey ensuring there is enough room remaining in the middle of the hickey for wires to be pulled through. Secure it into place adding locking ring 3 and nut 3 down together up to hickey.



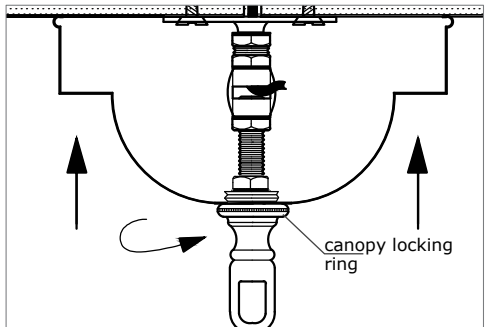
3. Slide canopy over entire assembly so that the second piece of threaded rod is visible from the bottom of the canopy. Mark the lowest point of canopy on the threaded rod.



4. Remove threaded rod from hickey and cut at marked point (ensuring no rough sharp edges are left). Screw threaded rod back into hickey and slide locking ring 3 and locking nut 3 up to hickey and tighten to secure in place.



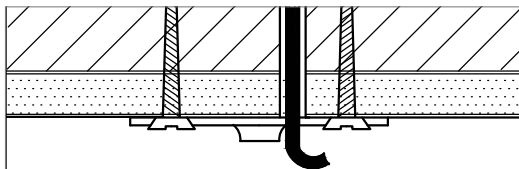
5. Screw locking nut 4 onto threaded rod, leaving a minimum of 15mm of threaded rod showing at bottom. Slide locking ring 4 and then screw canopy loop until tight. Tighten locking nut 4 down on to canopy loop securing into place.



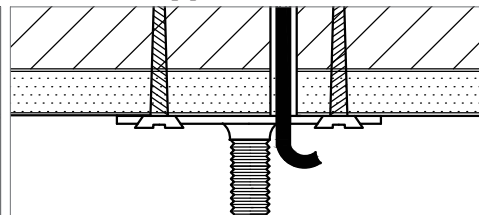
6. Slide canopy over the top of canopy loop and lock into place with canopy locking ring.

Continue to box 7

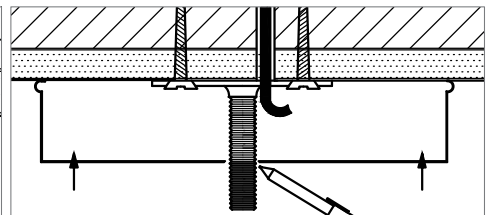
Type 2



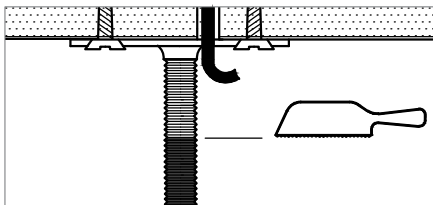
1. Screw ceiling plate to a sufficiently strong ceiling structure such as timber joist or concrete ceiling. The plate should sit to one side of the electrical supply. It may be necessary to make a small chase in the ceiling to allow cable to exit through top of ceiling plate.



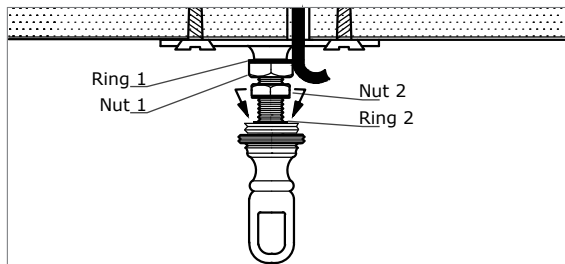
2. Screw a piece of threaded rod into ceiling plate.



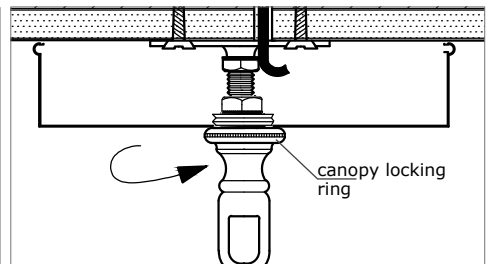
3. Slide canopy over entire assembly so the piece of threaded rod is visible from the bottom of the canopy. Mark the lowest point of canopy on the threaded rod.



4. Remove threaded rod from ceiling plate and cut at marked point (ensuring no rough sharp edges are left). Screw back into ceiling plate.



5. Screw locking ring 1 over threaded rod and then lock into place with locking nut 1. Screw locking nut 2 onto threaded rod, leaving a minimum of 15mm of threaded rod showing at bottom. Slide locking ring 2 and then canopy loop until tight. Tighten locking nut 2 down on to canopy loop securing into place.



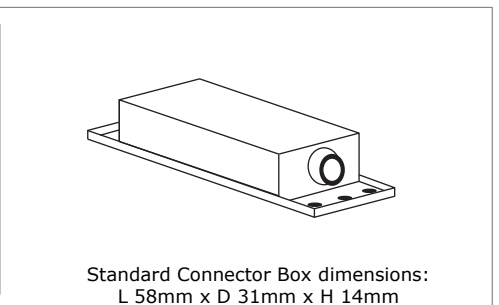
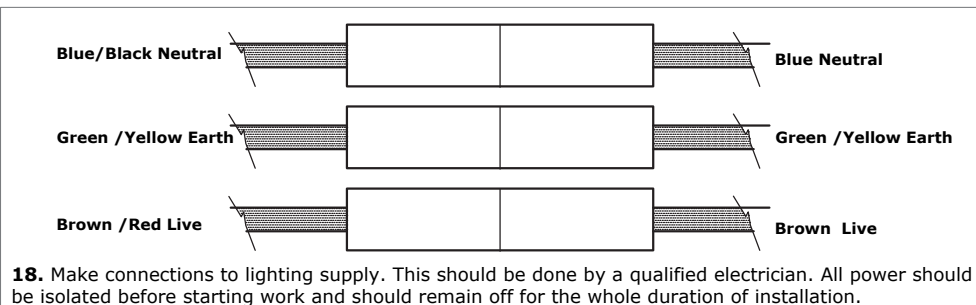
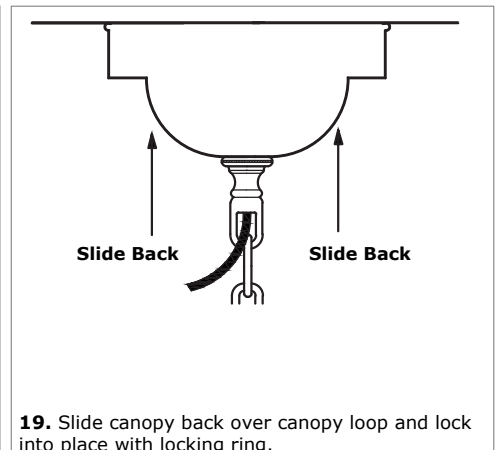
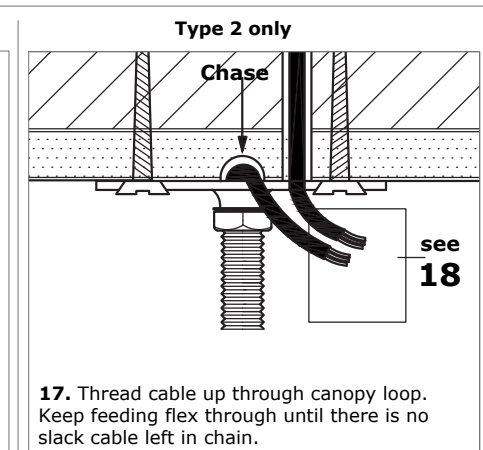
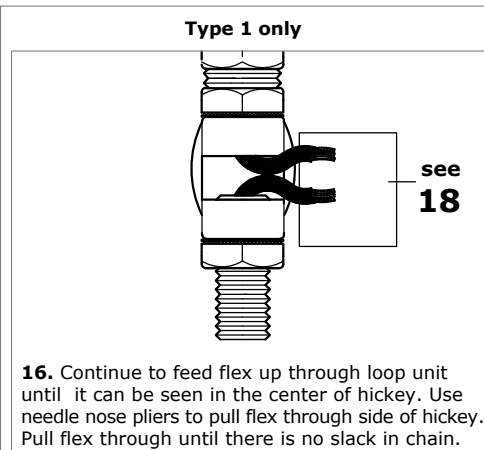
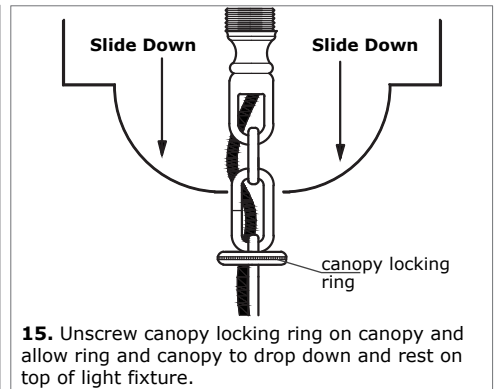
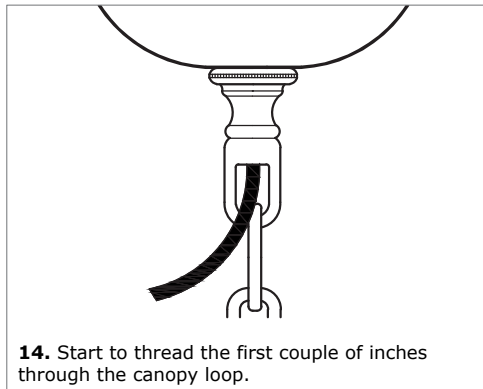
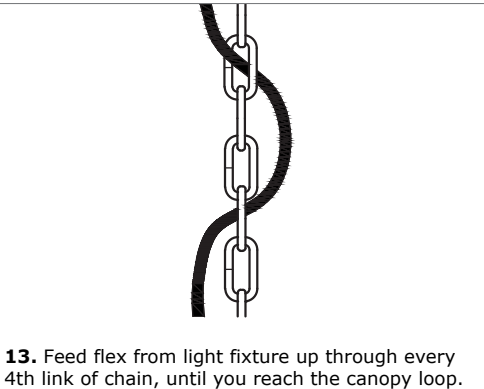
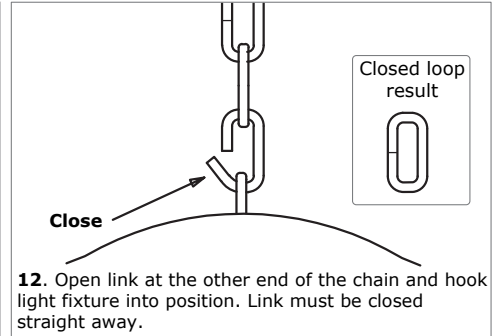
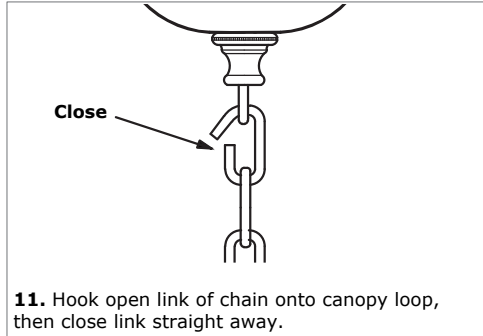
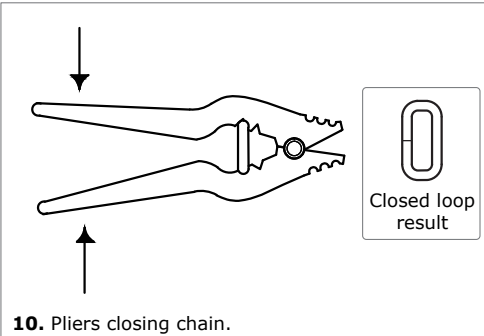
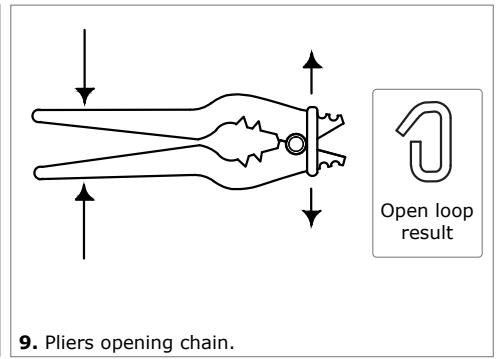
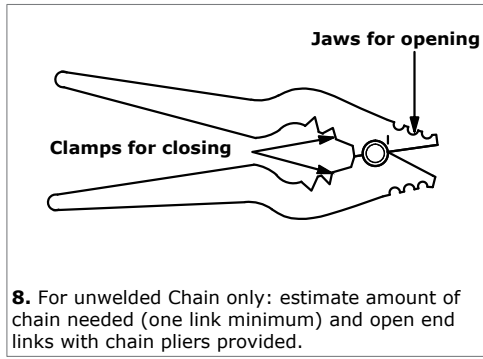
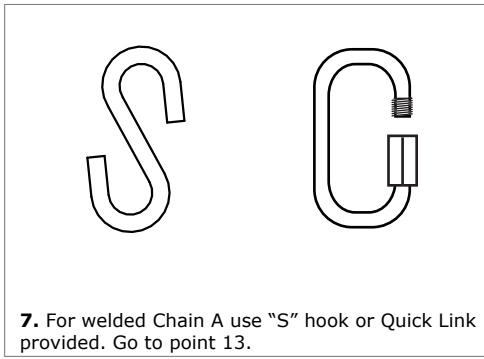
6. Slide canopy over the top of canopy loop and lock into place with canopy locking ring.

Continue to box 7

PLEASE NOTE: These notes are for guidance only. Charles Edwards accepts no responsibility for any installation using the above notes and the final decision on installation remains with the installer. A qualified electrician should carry out all installations.

CHARLES EDWARDS

Guide to Ceiling Canopy Installation CA Type 1 & 2



PLEASE NOTE: These notes are for guidance only. Charles Edwards accepts no responsibility for any installation using the above notes and the final decision on installation remains with the installer. A qualified electrician should carry out all installations.